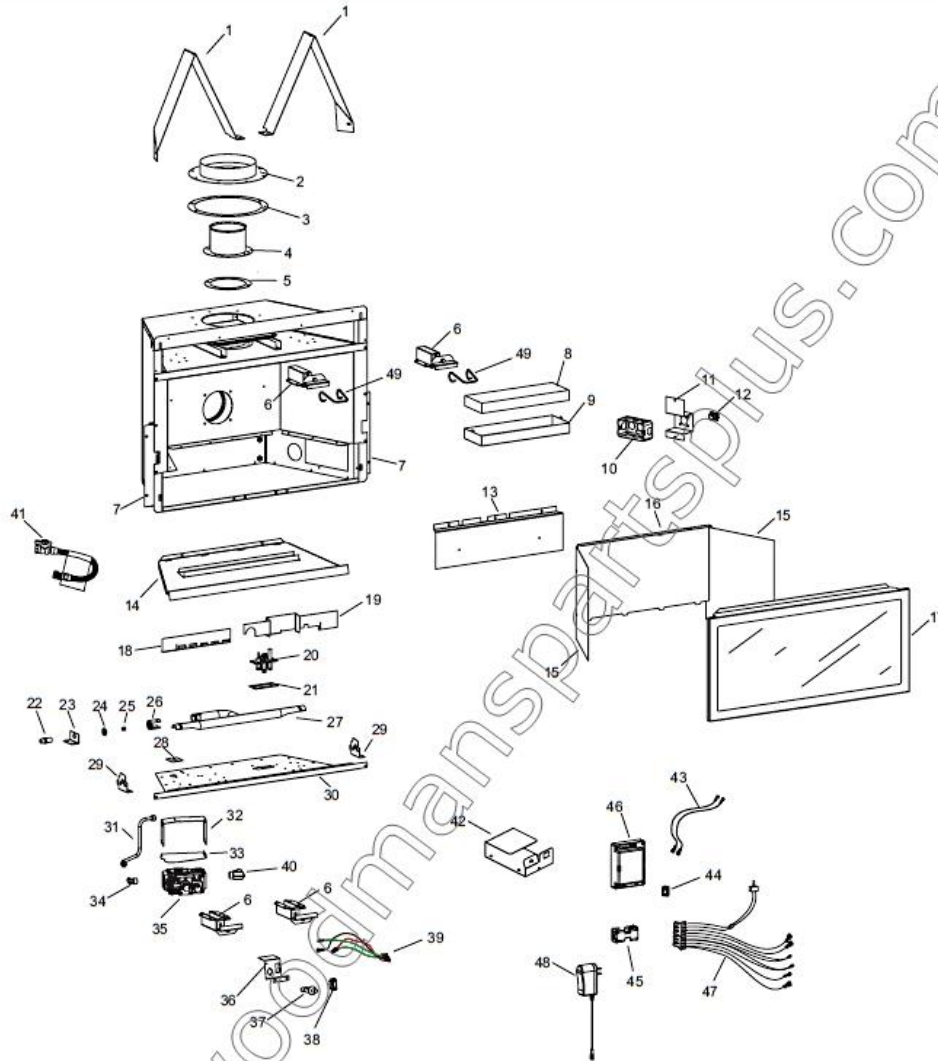


American Hearth Loft DVL25/33FP Part List

**PARTS VIEW**



**PARTS LIST**

| INDEX NO. | PART NO.       |                |                |                | DESCRIPTION                |
|-----------|----------------|----------------|----------------|----------------|----------------------------|
|           | DVL25FP32(N,P) | DVL33FP32(N,P) | DVL25FP72(N,P) | DVL33FP72(N,P) |                            |
| 1         | 28076          | 28076          | 28076          | 28076          | TOP STANDOFF               |
| 2         | R7566          | R7566          | R7566          | R7566          | INLET VENT ADAPTOR         |
| 3         | R7573          | R7573          | R7573          | R7573          | INLET VENT GASKET          |
| 4         | 17155          | 17155          | 17155          | 17155          | FLUE OUTLET ASSEMBLY       |
| 5         | M163           | M163           | M163           | M163           | GASKET, FLUE CONNECTOR     |
| 6         | 16223          | 27718          | 16223          | 27718          | SPRING RETAINER ASSEMBLY   |
| 7         | 30577          | 30577          | 30577          | 30577          | NAILING FLANGE             |
| 8         | R10854         | R10854         | R10854         | R10854         | INSULATION, 1.250 X 4 X 12 |
| 9         | 28065          | 28065          | 28065          | 28065          | PAN, INSULATION            |

## PARTS LIST

| INDEX NO. | PART NO.       |                |                |                | DESCRIPTION                                |
|-----------|----------------|----------------|----------------|----------------|--|
|           | DVL25FP32(N,P) | DVL33FP32(N,P) | DVL25FP72(N,P) | DVL33FP72(N,P) |  |
| 10        | R3490          | R3490          | R3490          | R3490          | JUNCTION BOX                               |
| 11        | 27730          | 27730          | 27730          | 27730          | JUNCTION BOX MOUNTING BRACKET              |
| 12        | R7571          | R7571          | R7571          | R7571          | 3/8" ROMEX CONNECTOR                       |
| 13        | 27666          | 27691          | 27666          | 27691          | LOG SHELF                                  |
| 14        | 27726          | 28070          | 27726          | 28070          | BURNER COVER, PORCELAIN                    |
| 15        | 27668          | 27679          | 27668          | 27679          | LINER SIDE, PORCELAIN                      |
| 16        | 27670          | 27681          | 27670          | 27681          | LINER REAR, PORCELAIN                      |
| 17        | 27712          | 27713          | 27712          | 27713          | GLASS DOOR FRAME ASSEMBLY                  |
| 18        | 27731          | 27856          | 27731          | 27856          | RESTRICTOR, BURNER - LEFT                  |
| 19        | 27855          | 27857          | 27855          | 27857          | RESTRICTOR, BURNER - RIGHT                 |
| 20a       | R10737         | R10737         | R10423         | R10423         | PILOT ASSEMBLY, NAT                        |
| 20b       | R10738         | R10738         | R10424         | R10424         | PILOT ASSEMBLY, LPG                        |
| 21        | M173           | M173           | M173           | M173           | GASKET, PILOT                              |
| 22        | P212           | P212           | P212           | P212           | FITTING, ORIFICE                           |
| 23        | 27086          | 27086          | 27086          | 27086          | BURNER END SUPPORT                         |
| 24        | R7575          | R7575          | R7575          | R7575          | JAMB NUT                                   |
| 25a       | P288 (2.10mm)  | P286 (#42)     | P288 (2.10mm)  | P286 (#42)     | ORIFICE (NAT. GAS)                         |
| 25b       | P182 (# 55)    | P208 (1.45mm)  | P182 (# 55)    | P208 (1.45mm)  | ORIFICE (LP GAS)                           |
| 26        | R7624          | R7624          | R7624          | R7624          | AIR SHUTTER                                |
| 27        | R10732         | R10879         | R10732         | R10879         | TUBE BURNER                                |
| 28        | 11269          | 11269          | 11269          | 11269          | GAS LINE BRACKET                           |
| 29        | 28067          | 28067          | 28067          | 28067          | BURNER SUPPORT - RIGHT                     |
| 30        | 27659          | 28066          | 30950          | 30951          | BURNER BASE                                |
| 31        | 28074          | 28075          | 30585          | 30587          | TUBING ASSEMBLY, INLET                     |
| 32        | 28063          | 28063          | 30589          | 30589          | VALVE BRACKET                              |
| 33        | 28064          | 28064          | 30588          | 30588          | SHIELD, VALVE                              |
| 34        | R6207          | R6207          | R6207          | R6207          | ELBOW, 5/16 X 3/8 90 DEGREE                |
| 35a       | R7577          | R7577          | R11125         | R11125         | VALVE, SIT GAS - NAT                       |
| 35b       | R7578          | R7578          | R11126         | R11126         | VALVE, SIT GAS - LP                        |
| 36        | 22953          | 22953          | -              | -              | PIEZO BRACKET                              |
| 37        | R9760          | R9760          | -              | -              | IGNITOR, PIEZO W/RED                       |
| 38        | R3436          | R3436          | -              | -              | SWITCH, REMOTE OFF/ON                      |
| 39        | R10947         | R10947         | -              | -              | WIRE ASSEMBLY                              |
| 40        | R10882         | R10882         | -              | -              | ELBOW, 90 DEGREE BRASS 3/8 NPT X 3/8 FLARE |
| 41        | R10961         | R10961         | R10961         | R10961         | FLEXLINE W/SHUTOFF VALVE                   |
| 42        | -              | -              | 29382          | 29382          | TRAY, MODULE                               |
| 43        | -              | -              | R2667          | R2667          | WIRE 5 1/2" BLACK (QTY. 2)                 |
| 44        | -              | -              | R2522          | R2522          | ON/OFF SWITCH                              |
| 45        | -              | -              | R11122         | R11122         | BATTERY HOLDER                             |
| 46        | -              | -              | R11127         | R11127         | DFC CONTROL BOARD                          |
| 47        | -              | -              | R11123         | R11123         | WIRE HARNESS                               |
| 48        | -              | -              | R11128         | R11128         | AC ADAPTOR, 7.0 VDC                        |
| 49        | R11181         | R11181         | R11181         | R11181         | LATCH EXTENSION (QTY. 2)                   |